

# PS016 Series

## LED push button switches



**Feature -**  
 noiseless  
 bi-color LED illuminated available  
 long life cycles  
 long contact travel  
 SPST, momentary function

**Application -**  
 audio / video products  
 instrumentation  
 communication equipments

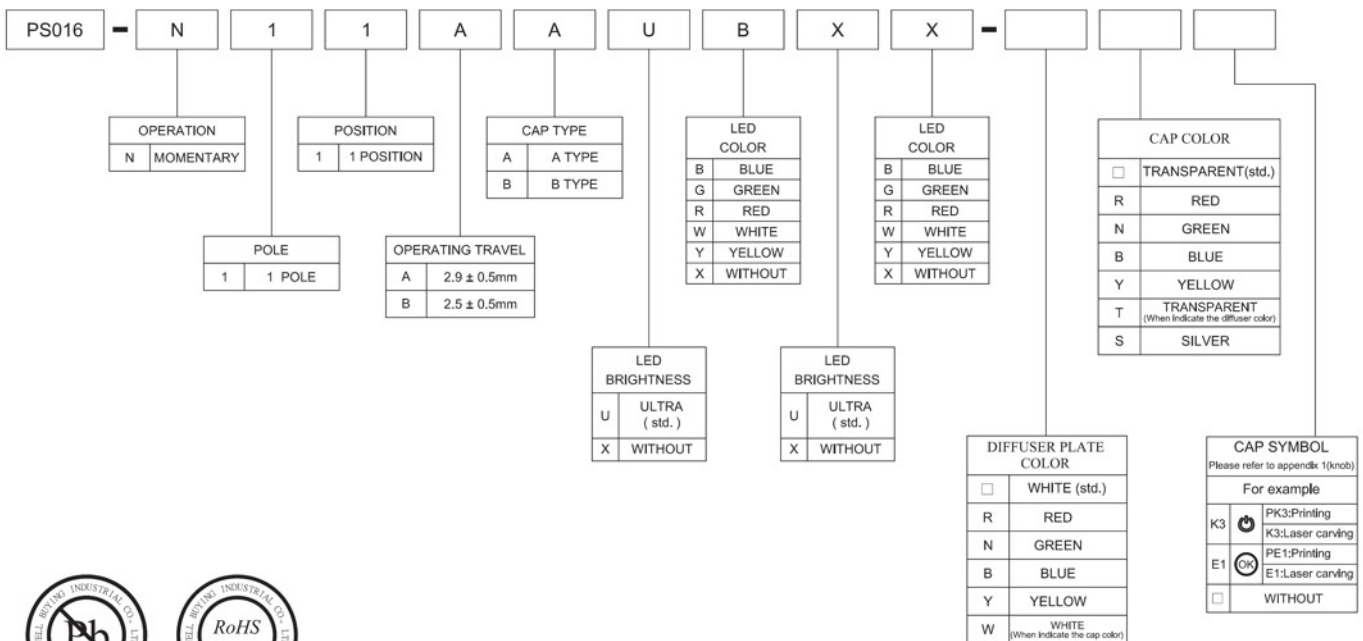
### SPECIFICATIONS

SWITCH SPECIFICATIONS	
POLE - POSITION	OFF - ON for Momentary Type , SPST
RATING	POWER : 1 Watt MAX. CURRENT : 50uA MIN. / 100mA max. VOLTAGE : DC 20V MAX.
CONTACT RESISTANCE	150 mΩ MAX.
BREAKDOWN VOLTAGE	230 V DC
INSULATION RESISTANCE	10 MΩ MIN. 500 V DC
DIELECTRIC STRENGTH	Breakdown is not Allowable ; 500 V AC for 1 Minute
OPERATING FORCE	250 ± 50 gf
OPERATING LIFE	50,000,000 cycles
TEMPERATURE RANGE	OPERATING : -5°C ~ 60°C STORAGE : -40°C ~ 90°C
TOTAL TRAVEL	3.3 ± 0.3 mm

LED SPECIFICATIONS		Value / LED Color			
ATTENTION LEDs are Electrostatic Sensitive devices	Unit	Blue	Green	Red	Yellow
		FORWARD CURRENT	If	20	20
REVERSE VOLTAGE	Vr	5.0	5.0	5.0	5.0
REVERSE CURRENT	Ir	50	10	10	10
FORWARD VOLTAGE@20mA	Vf	3.3-4.0	2.1-2.5	2.0-2.5	2.0-2.5
LUMINOUS INTENSITY@20mA	Iv	40	60	280	80

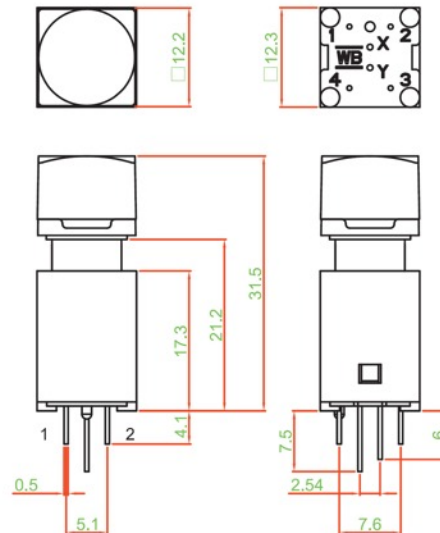
Physical and electrical information of LED will be provided upon customer's request on switches .

### HOW TO ORDER

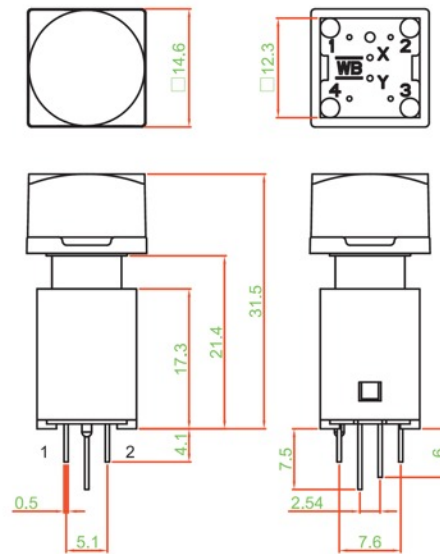


## ► DIMENSION

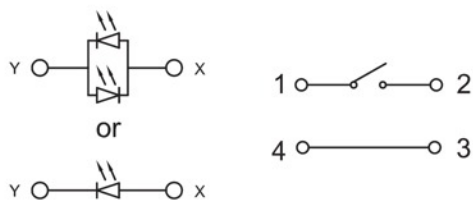
PS016 - N11AA □□□□



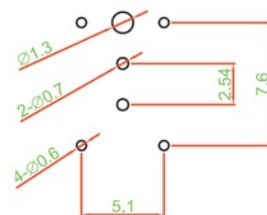
PS016 - N11AB □□□□



## ► SCHEMATIC



## ► P.C.B LAYOUT



## ► MATERIAL

- COVER : PC
- ACTUATOR : POM
- BASE FRAME : PA + GF
- TERMINAL : SILVER PLATING

## ► UNIT WEIGHT

- PS016 - N11AA □□□□ : 4.4 ± 0.05 g / pc
- PS016 - N11AB □□□□ : 4.7 ± 0.05 g / pc

	0	1	2	3	4	5	6	7	8	9	10	11	12	13	14	15	16	17	18	19
A	0	1	2	3	4	5	6	7	8	9										
B	A	B	C	D	E	F	G	H	I	J										
C	K	L	M	N	O	P	Q	R	S	T										
D	U	V	W	X	Y	Z	POWER	ON/OFF	ON	OFF										
E	OK		Auto	Enter	Start	STOP	OPEN	CLOSE	Exit	Move										
F	SET	Reset	Light	Alarm	Menu	Next	Back	Delete	Motor	Save										
G	Up	Down	Right	Left	Test	End	Insert	Lock	Print	+/-										
H	ESC	BC.	HOME	Health	D-LED 2	OC GENIE	VIDEO INPUT	clr CMOS	Green Power	Save OK										
I	B/R +	Undo Canccl	T/L -	F1	F2	F3	F4	F5	F6	F7										
J	F8	F9	F10	F11	F12	F13	F14	IN 1	IN 2	IN 3										
K	IN 4	IN 5	IN 6																	
L	+	-	x	÷	=	↑	→	▲	▶	⏸										
M																				
N	↑	→	↗	↖	▲	▶	◀	◀	◀	▶										
O	■	▢	↔	◀	▶	🔊	🔊													
P				x	✓	⏻	Config.	TIME LINE	ME1	ME2										
Q	ME3	ME4	BGND 3D DVE1	BGND 3D DVE2	BUS COLOR	ME BUTTON LINK	*	INSERT	WIPE											
R	⏮	ALL		VP		COPY		RECORD MODE	↕											
S		♥	mute		Multi BIOS															
T		hold	group	m1	m2	m3	m4	m5	m1	m2										
U	a1	a2	chair	auto	redo	touch	store	recall	a1	a2										
V	a3	a4	OC			CLEAR	CROSS WIND	AMMO TEMP	BARO PRESS	AIR TEMP										
W	BORE-SIGHT	CANT	LEAD	RANGE	MRS	ZERO	TEST	UD	LR											
X	ID	Disp																		
Y																				
Z																				