



**Feature -**

- small size
- bi-color LED illuminated available
- long electrical life cycles

**Application -**

- consumer products
- computer products
- instrumentation
- communication equipments

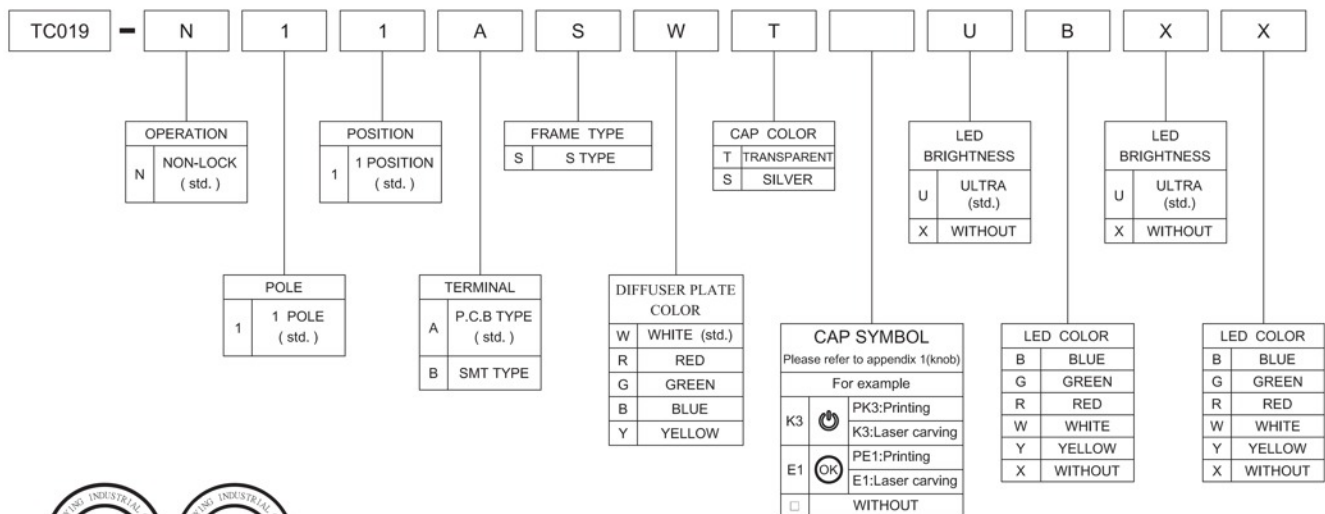
► SPECIFICATIONS

SWITCH SPECIFICATIONS	
POLE - POSITION	Momentary action , SPST
CONTACT RATING	20 V DC , 1 mA
CONTACT RESISTANCE	200Ω MAX. 5 V DC ; 1 mA , by Method of Voltage DROP
INSULATION RESISTANCE	100 MΩ MIN. 100 V DC for 1 minute
DIELECTRIC STRENGTH	Breakdown is not Allowable ; 250 V AC for 1 Minute
OPERATING FORCE	60 ± 20 gf
OPERATING LIFE	500,000 cycles
OPERATING TEMPERATURE RANGE	-20°C ~ 70°C
TOTAL TRAVEL	1.3 ± 0.1 mm

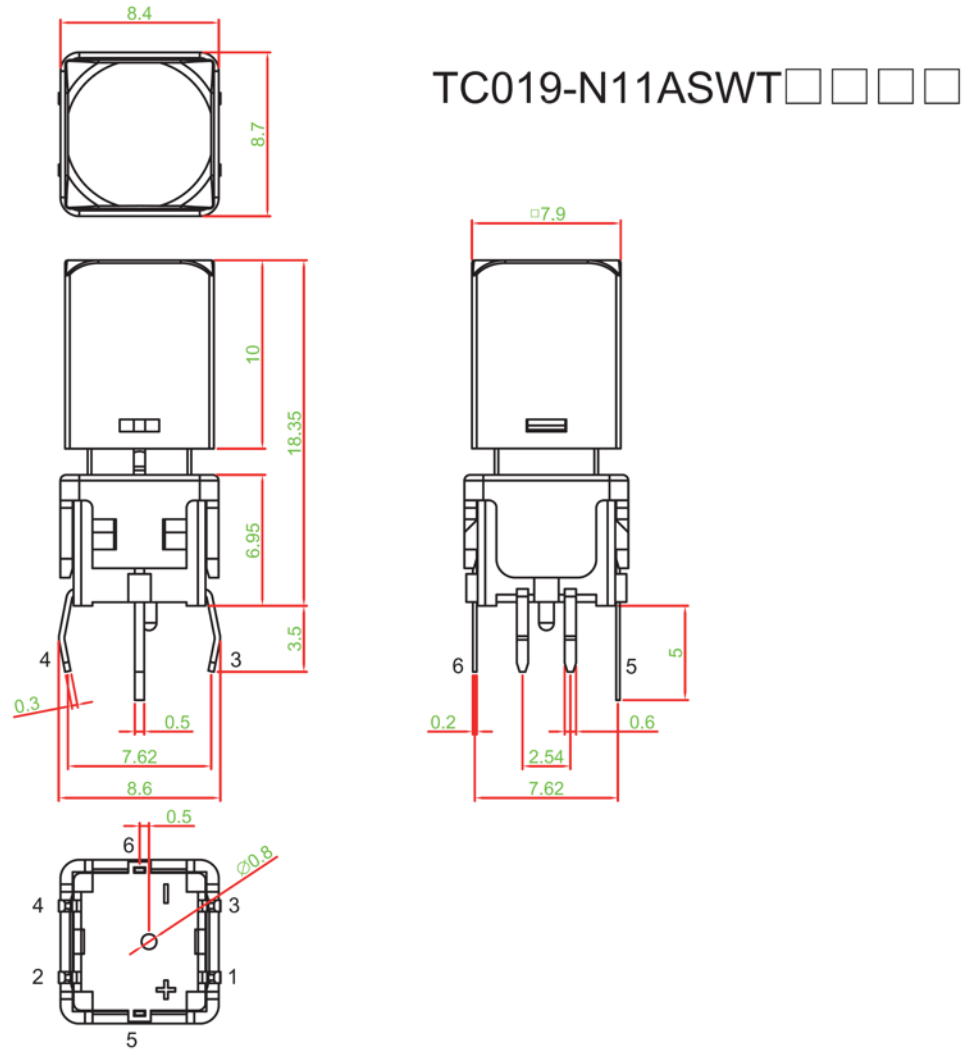
LED SPECIFICATIONS		Unit	Value / LED Color				
			Blue	Green	Red	White	Yelk
	ATTENTION						
	LEDs are Electrostatic Sensitive devices						
FORWARD CURRENT	$I_f$	mA	10	20	20	2	20
REVERSE VOLTAGE	$V_r$	V	5.0	5.0	5.0	5.0	5.0
REVERSE CURRENT	$I_r$	μA	10	10	10	10	10
FORWARD VOLTAGE	$V_f$	V	@ 10mA 3.0-4.0	2.1-2.5	2.0-2.5	@ 2mA 2.8-4.0	2.0-2
LUMINOUS INTENSITY	$I_v$	mcd	@ 10mA 200	800	1800	@ 2mA 12	180

■ Physical and electrical information of LED will be provided upon customer's request on switches .

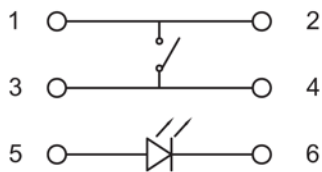
► HOW TO ORDER



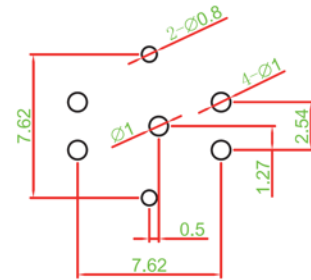
▶ DIMENSION



▶ CIRCUIT DIAGRAM



▶ P.C.B. LAYOUT



▶ MATERIAL

- FRAME : PA + GF
- ACTUATOR : PA + GF
- TERMINAL : BRASS ; SILVER PLATING
- DIFFUSER PLATE : PC
- CAP : PC

	0	1	2	3	4	5	6	7	8	9	10	11	12	13	14	15	16	17	18	19
A	0	1	2	3	4	5	6	7	8	9										
B	A	B	C	D	E	F	G	H	I	J										
C	K	L	M	N	O	P	Q	R	S	T										
D	U	V	W	X	Y	Z	POWER	ON OFF	ON	OFF										
E	OK		Auto	Enter	Start	STOP	OPEN	CLOSE	Exit	Move										
F	SET	Reset	Light	Alarm	Menu	Next	Back	Delete	Motor	Save										
G	Up	Down	Right	Left	Test	End	Insert	Lock	Print	+/-										
H	ESC	BC.	HOME	Health	D-LED 2	OC GENIE	VIDEO INPUT	clr CMOS	Green Power	Save OK										
I				F1	F2	F3	F4	F5	F6	F7										
J	F8	F9	F10	F11	F12	F13	F14	IN 1	IN 2	IN 3										
K	IN 4	IN 5	IN 6																	
L																				
M																				
N																				
O																				
P							Config	TIME LINE	ME1	ME2										
Q	ME3	ME4	BGND 3D DVE1	BGND 3D DVE2	BUS COLOR	ME BUTTON LINK	*	INSERT	WIPE											
R		ALL		VP		COPY		RECORD MODE												
S																				
T																				
U																				
V																				
W	BORE- SIGHT	CANT	LEAD	RANGE	MRS	ZERO	TEST	UD	LR											
X	ID	Dtap																		
Y																				
Z																				