



Feature -

- noiseless, conductive rubber
- light click feeling
- full color LED illuminated available
- long electrical life cycles

Application -

- audio / video products
- instrumentation
- communication equipments

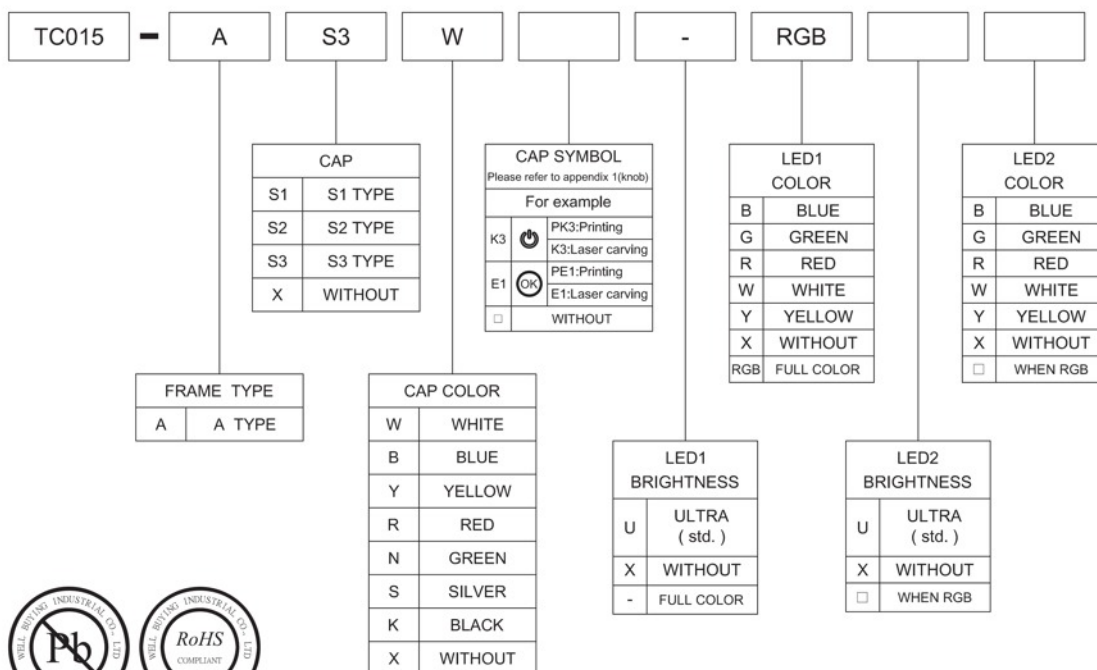
SPECIFICATIONS

SWITCH SPECIFICATIONS	
POLE - POSITION	OFF - <ON> for Momentary Type , SPST
CONTACT RATING	MAX : 1mA , 20VDC or 5mA , 5VDC MIN : 1mA , 5VDC
CONTACT RESISTANCE	200 Ω MAX.
INSULATION RESISTANCE	100 MΩ MIN. 100 V DC
DIELECTRIC STRENGTH	Breakdown is not Allowable ; 250 V AC for 1 Minute
OPERATING FORCE	125 ± 35 gf
OPERATING LIFE	1,000,000 cycles
OPERATING TEMPERATURE RANGE	-20°C ~ 70°C
TOTAL TRAVEL	1.25 ± 0.3 mm

LED SPECIFICATIONS						
ATTENTION LEDs are Electrostatic Sensitive devices	Unit	Value / LED Color				
		Blue	Green	Red	Yellow	
FORWARD CURRENT	If	mA	20	20	20	20
REVERSE VOLTAGE	Vr	V	5.0	5.0	5.0	5.0
REVERSE CURRENT	Ir	μA	10	10	10	10
FORWARD VOLTAGE@20mA	Vf	V	3.3-4.0	2.1-2.5	2.0-2.5	2.0-2.5
LUMINOUS INTENSITY@20mA	Iv	mcd	1300	700	900	700

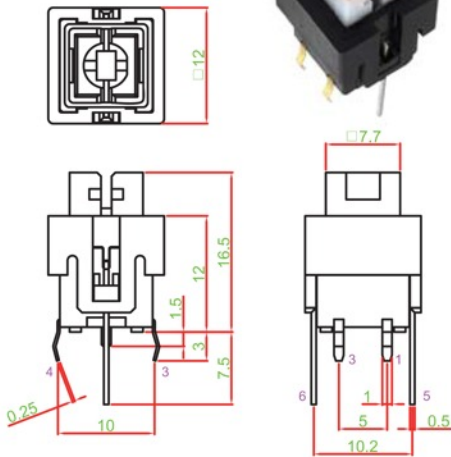
■ Physical and electrical information of LED will be provided upon customer's request on switches .

HOW TO ORDER

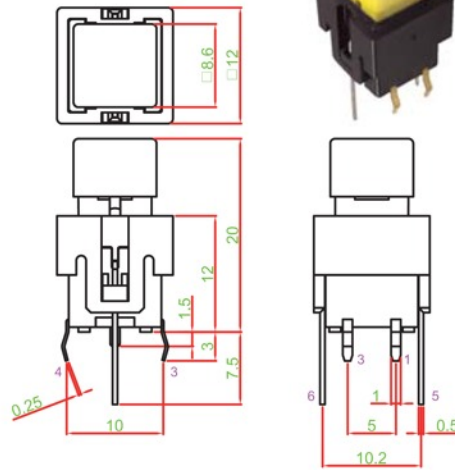


▶ DIMENSION

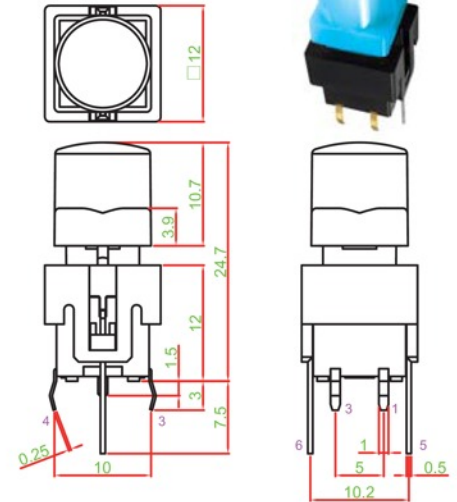
TC015-AXX□□□□



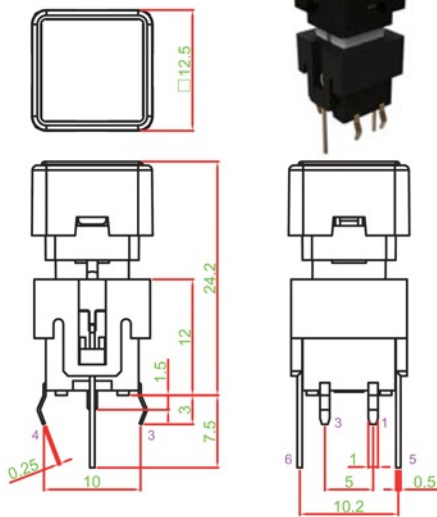
TC015-AS1W□□□□



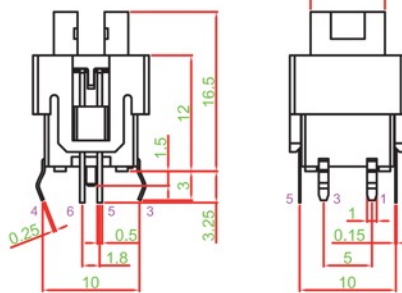
TC015-AS2W□□□□



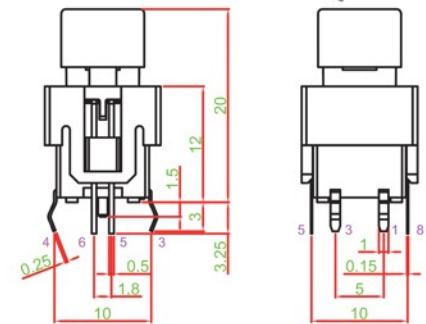
TC015-AS3W□□□□



TC015-AXX-RGB

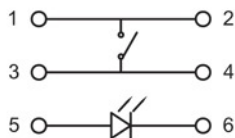


TC015-AS1W-RGB

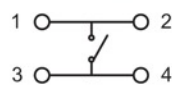


▶ CIRCUIT

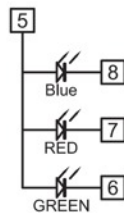
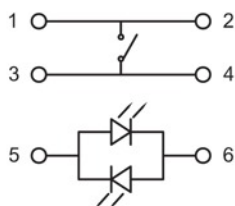
SINGLE COLOR LED :



FULL COLOR LED :

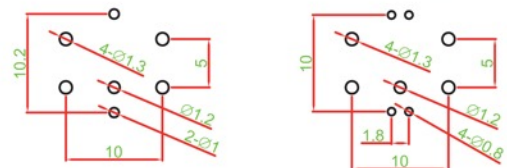


TWO COLOR LED :



▶ P.C.B LAYOUT

LED : RGB



▶ MATERIAL

- ACTUATOR : POM
- TERMINAL : BRASS GOLD PLATING
- FRAME : STEEL PLATE
- SPRING : STAINLESS STEEL

	0	1	2	3	4	5	6	7	8	9	10	11	12	13	14	15	16	17	18	19
A	0	1	2	3	4	5	6	7	8	9										
B	A	B	C	D	E	F	G	H	I	J										
C	K	L	M	N	O	P	Q	R	S	T										
D	U	V	W	X	Y	Z	POWER	ON OFF	ON	OFF										
E	OK		Auto	Enter	Start	STOP	OPEN	CLOSE	Exit	Move										
F	SET	Reset	Light	Alarm	Menu	Next	Back	Delete	Motor	Save										
G	Up	Down	Right	Left	Test	End	Insert	Lock	Print	+/-										
H	ESC	BC.	HOME	Health	D-LED 2	OC GENIE	VIDEO INPUT	clr CMOS	Green Power	Save OK										
I				F1	F2	F3	F4	F5	F6	F7										
J	F8	F9	F10	F11	F12	F13	F14	IN 1	IN 2	IN 3										
K	IN 4	IN 5	IN 6																	
L	+	-	x	÷	=	↑	→													
M																				
N	↑	→	↗	↖	▲	▶	◀	▶	◀	▶										
O	■	▢	◀	▶	◀	▶	◀	▶	◀	▶										
P				x	✓	⊖	Config.	TIME LINE	ME1	ME2										
Q	ME3	ME4	BGND 3D DVE1	BGND 3D DVE2	BUS COLOR	ME BUTTON LINK	*	INSERT ←	WIPE											
R	⏪	ALL		VP		COPY		RECORD MODE	↕											
S		♥	mute																	
T		hold	group	m1	m2	m3	m4	m5	t1	t2										
U	a1	a2	chair	undo	redo	touch	store	recall	a1	a2										
V	a3	a4	OC			CLEAR	CROSS WIND	AMMO TEMP	BARO PRESS	AIR TEMP										
W	BORE- SIGHT	CANT	LEAD	RANGE	MRS	ZERO	TEST	UD	LR											
X	ID	Disp																		
Y																				
Z																				