

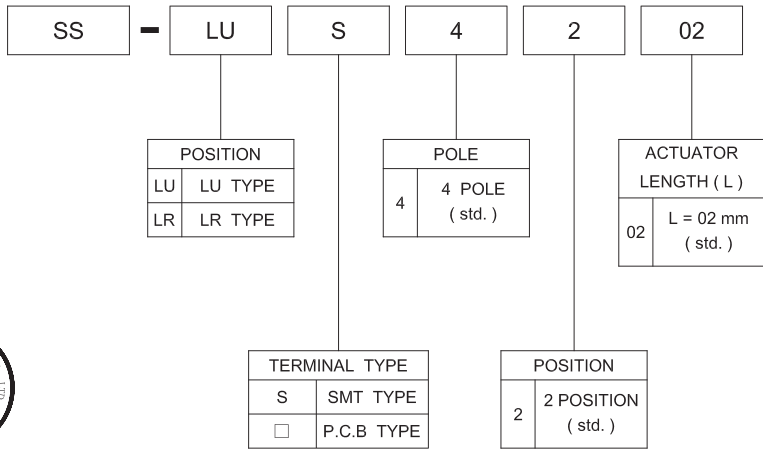
Feature -
compact size
reflow soldering available

Application -
consumer products
computer products
instrumentation
communication equipments
hand-held devices

► SPECIFICATIONS

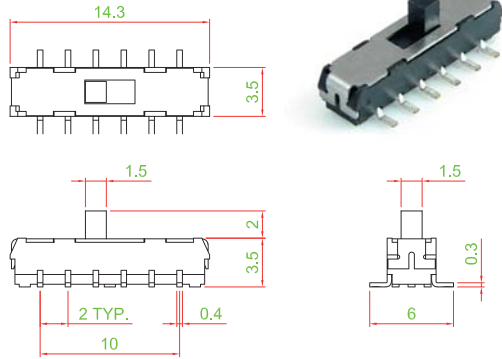
SWITCH SPECIFICATIONS	
POLE - POSITION	4P2T
CONTACT RATING	6 V DC , 0.3 A
CONTACT RESISTANCE	70 mΩ MAX. 5 V DC ; 1 A , by Method of Voltage DROP
INSULATION RESISTANCE	100 MΩ MIN. 500 V DC for 1 minute
DIELECTRIC STRENGTH	Breakdown is not Allowable ; 500 V AC for 1 Minute
OPERATING FORCE	200 ± 150 gf
OPERATING LIFE	10,000 cycles
OPERATING TEMPERATURE RANGE	-10°C ~ 60°C
TOTAL TRAVEL	2.0 ± 0.3 mm

► HOW TO ORDER

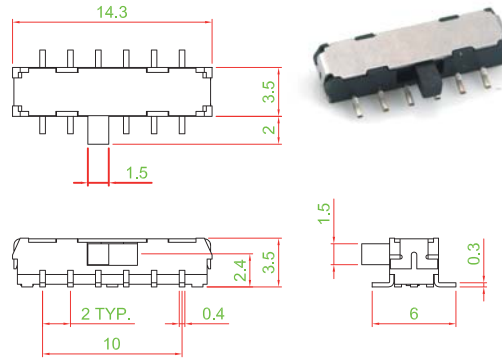


▶ DIMENSION

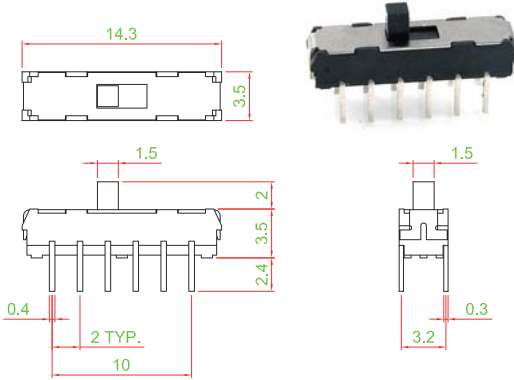
SS-LUS4202



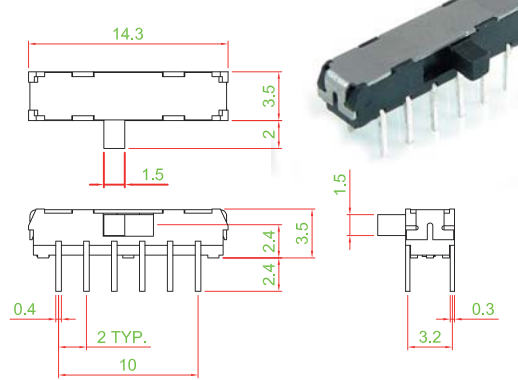
SS-LRS4202



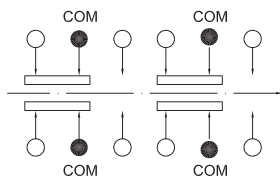
SS-LU4202



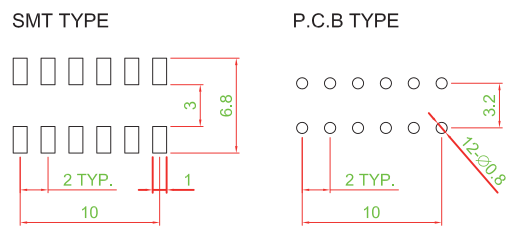
SS-LR4202



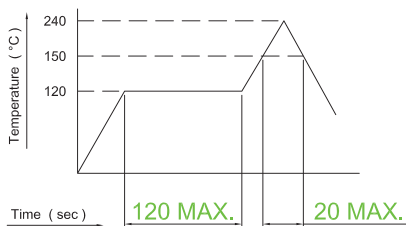
▶ CIRCUIT DIAGRAM



▶ P.C.B LAYOUT



▶ REFLOW SOLDERING



▶ MATERIAL

- COVER : STAINLESS STEEL
- ACTUATOR : PA9T + GF
- BASE FRAME : PA9T + GF
- TERMINAL : SILVER PLATING