



Key features

- Front full flat resistive touch with IP65 rating
- Fanless operating with high reliability thermal design
- Anti-microbial plastic housing
- Medical 60601-1 3rd edition certification
- 19" 5:4 SXGA 1280x1024 350 nits LCD w/ LED backlight
- Intel 3rd Generation (Ivy Bridge) Core i5/i7 CPU
- PCI-E/PCI expansion and two mini-PCIe sockets
- Optional internal battery pack for 25 minutes operating
- Optional WLAN, Webcam, Bluetooth and RFID reader

Main system

CPU	Intel Core i5-3317U 1.7GHz (Dual Core, 3MB cache) Intel Core i7-3517U 1.9GHz (Dual Core, 4MB cache) Intel Core i3-3217U 1.8GHz (Dual Core, 3MB cache) Intel Celeron 847E 1.1GHz (Dual Core, 2MB cache) Core i CPU w/ BGA1023 package and 17W TDP
Chipset	Intel® BD82HM65 PCH
Graphics	Intel Core i7-3517U /Core i5-3317U /Core i3-3217U: Intel HD Graphics HD 4000 Celeron 847E: Intel HD Graphics
Memory	8GB maximum, x 2 DDR3 SODIMM, 1066/1333MHz, 2GB/4GB/8GB
Serial ATA	SATA2 x 2, 300MB/s transfer rate
USB	x 7 (socket), USB 2.0 (x 4 external, x 3 internal)
COMM	x 6 (x 2 external, x 4 internal)
Audio	Realtek ALC262 audio codec, 2+2 watts amplifier
LAN	Marvell 88E8071 Gigabit Ethernet x 2
BIOS	AMI BIOS, 4M EEPROM RTC wake up / Wake on LAN / Power on after power failure / PnP / ACPI
Speaker	2 watts x 2 (front bottom)

LCD panel

Size	19" 5:4
Resolution	SXGA 1280 x 1024
Brightness	350 nits
Contrast	1000:1
Colours	16.7M (6-bit x 3 + Hi FRC)
Viewing angle	170° (H) / 160° (V)
Response time	5ms (R + F)
Backlight	LED 50,000 hours lifetime

Touch panel

Type	Front full flat customised touch panel
Technology	Resistive touch, 5-wire
Light transmittance	>78% (at 550 nm wavelength)
Hardness	3H
Touch stylus	No limitation
Resolution	4096 x 4096
Lifetime	35 million activations

Storage & expansion

HDD	2.5" SATA HDD drive bay x 1 + anti-vibration kit, 160GB / 500GB
Expansion slot	PCI-E (x16) x 1 (or PCI x 1) (Optional) Card size: 100 x 155 x 18/0.5 mm or 68 x 220 x 18/0.5 mm Mini PCIe x 2 (52 pin card-edge type)

I/O & control keys

USB	USB 2.0 x 4
COMM	DB-9 x 2 (RS232, RS232/422/485 <w/ auto flow control>)
LAN	RJ-45 x 2, Gigabit
Video out	DVI-I x 1
Audio	Line-out, Microphone-in (3.5 mm phone-jack)
Power input	DC-in x 1, 6V~32V
Control keys	Front side, projected capacitive type Power on/off, Brightness, Audio volume, Backlight on/off, Touch on/off

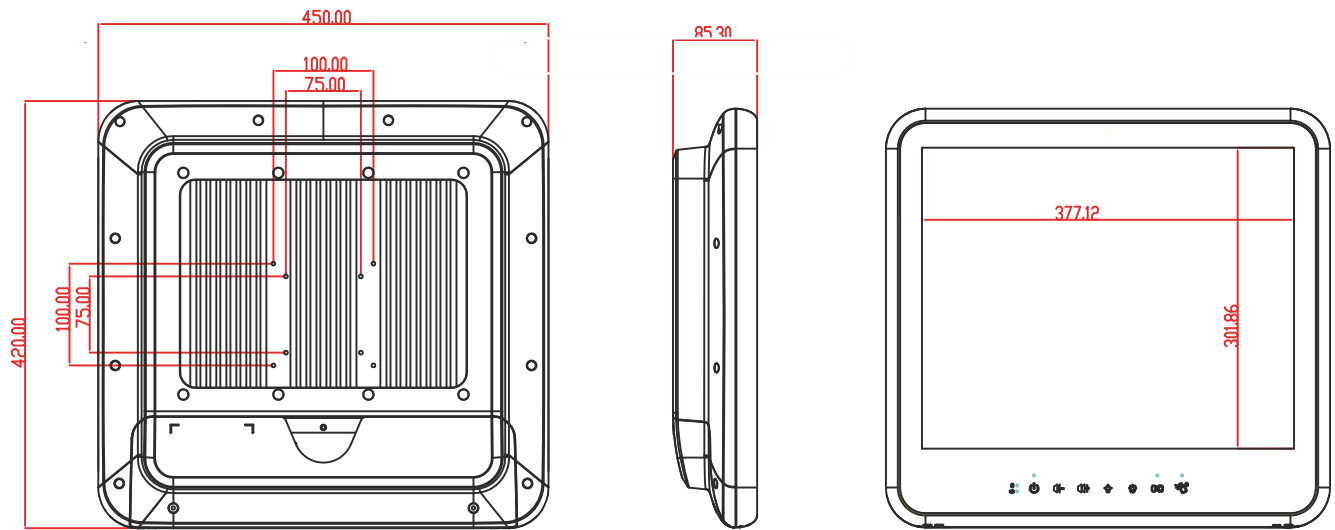
Power

Power adapter	External, 100 watts, 90~264V AC in, 12V DC out, medical grade, 1.2m DC cable
Power consumption	65 watts (typical, without any add-ons)
Internal battery	Lithium-Ion, 29Wh, for 25 minutes operating (approx.), 2S2P (optional) Charge time: 2 hours (system off), 3.5 hours (system on)

Mechanical & environmental

Housing	Front: Full flat design / Touch (standard), Glass (Customisation) Rear: Plastic + I/O cover w/ antibacterial treatment
Colour	Housing: White / Control key icons: Grey
IP rating	IP65 – front side
Cooling	Fanless w/ back cover aluminum thermal plate
Mounting	VESA 75 x 75 / 100 x 100 mm
Kensington®	Yes, x 1 at bottom
Dimensions	450 x 420 x 85.3 mm (W x H x D, w/o stand)
Weight	7.5 Kg (approximate, w/o power adaptor)
Temperature	Operating – 0°C~35°C / storage – -20°C~60°C
Humidity	Operating & storage – 10%~90%, non-condensing
Regulatory	FCC-B, cUL, CE, VCCI Medical 60601-1 3 rd edition (EN 60601-1:2006, ANSI/AAMI ES60601-1:2005, CAN/CSA C22.2 No. 60601-1:08)

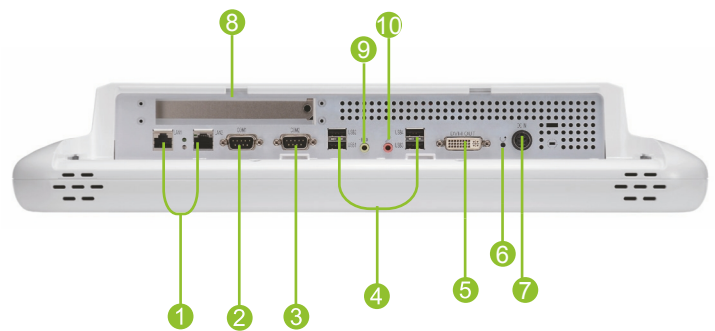
Outline dimensions



Packaging & options

- Packaging** System, power adaptor, AC power cord, CD (drivers & manual)
- Options**
- WLAN – 802.11 a/b/g/n mini PCIe module w/ internal antenna x 2
 - Bluetooth 2.1 (USB)
 - Webcam (2M pixel, USB)
 - Battery pack
 - RFID reader (13.56Hz, USB)
 - Expansion slot (PCI-E or PCI)
 - Power adaptor w/ 2.4m or 3.6m DC cable
 - Anti-bacteria desktop stand (metal, white)
- Customisation**
- Add extra two COM ports (or USB ports)
 - LAN isolation x 1
 - Add COM isolation x 2 module (use expansion slot area)
 - Add USB isolation x 1
 - Change touch to glass
 - Microphone on I/O cover

I/O connectors



- | | |
|------------------|------------------------|
| 1. LAN x 2 | 6. Reset |
| 2. RS232/422/485 | 7. DC-in |
| 3. RS232 | 8. PCI-E/PCI expansion |
| 4. USB x 4 | 9. Line-out |
| 5. DVI-I | 10. Microphone-in |



Ordering information

- CPU: Core i5 1.7G / Core i7 1.9G / Core i3 1.8G / Celeron 1.1G
- Memory: 2G / 4G / 8G
- HDD: 160G / 500G
- Power adaptor: 1.2m / 2.4m / 3.6m DC cable
- Battery pack: None / x 1
- Desktop stand: None / x 1
- WLAN: None / x 1
- Bluetooth: None / x 1
- RFID reader: None / x 1
- Expansion: None / PCI-E / PCI
- Webcam: None / x 1