

## 21.5" Wide Core i Fanless Medical Panel PC



### Key Features

- Front full flat resistive touch with IP65 protection
- Fanless operating w/ reliable thermal design
- Anti-bacteria plastic housing and medical 60601-1 3<sup>rd</sup> edition certification
- 21.5" wide full HD 1920x1080 LCD w/ LED backlight
- Intel low power Core i5 1.6G & Celeron dual core 1.1G processor
- PCI-E/PCI expansion and two mini-PCIe sockets
- Optional internal battery pack for 25 minutes operating
- Optional Wifi, Webcam, Bluetooth and RFID reader
- Customization for LAN/COM/USB isolation, change touch to glass

### Main System

<b>CPU</b>	h Intel Core i5-2467M 1.6GHz (dual core, 3MB cache) h Intel Celeron 847E 1.1GHz (dual core, 2MB cache) h Support BGA1023 socket, 17W TDP
<b>Chipset</b>	Intel BD82HM65 PCH
<b>Graphics</b>	h Core i5-2467M: Intel HD Graphics HD 3000 h Celeron 847E: Intel HD Graphics
<b>Memory</b>	8GB maximum, x 2 DDR3 SODIMM, 1066/1333MHz, 2GB/4GB/8GB
<b>Serial ATA</b>	SATA3 x 2, 600MB/s transfer rate
<b>USB</b>	x 7 (socket), USB 2.0 (x 4 external, x 3 internal)
<b>COM</b>	x 6 (x 2 external, x 4 internal)
<b>Audio</b>	Realtek ALC262 audio codec, 2+2 watts amplifier
<b>LAN</b>	Marvell 88E8071 Gigabit Ethernet x 2
<b>BIOS</b>	h AMI BIOS, 4M EEPROM h RTC wake up / Wake on LAN / Power on after power failure / PnP / ACPI
<b>Speaker</b>	1.5 watts x 2 (front bottom)

### LCD Panel

<b>Size</b>	21.5" wide 16:9
<b>Resolution</b>	Full HD 1920 x 1080
<b>Brightness</b>	250 nits
<b>Contrast</b>	1000:1
<b>Color numbers</b>	16.7M (6-bit x 3 + Hi FRC)
<b>Viewing angle</b>	170 (H) / 160 (V)
<b>Response time</b>	5 ms (R + F)
<b>Backlight</b>	LED, 30,000 hours life time

### Touch Panel

<b>Type</b>	Front full flat customized touch panel
<b>Technology</b>	Resistive touch, 5-wire
<b>Light transmittance</b>	> 78% (at 550 nm wavelength)
<b>Hardness</b>	3H
<b>Touch stylus</b>	No limitation
<b>Resolution</b>	4096 x 4096
<b>Life time</b>	35 million activations

### Storage & Expansion

<b>HDD</b>	2.5" SATA HDD drive bay x 1 + anti-vibration kit, 160GB / 500GB
<b>Expansion slot</b>	h PCI-E (x16) x 1 (or PCI x 1) h Card size: 100 x 155 x 18/0.5 mm or 68 x 220 x 18/0.5 mm h Mini PCIe x 2 (52 pin card-edge type)

### I/O & Control Keys

<b>USB</b>	USB 2.0 x 4
<b>COM</b>	DB-9 x 2 (RS232, RS232/422/485)
<b>LAN</b>	RJ-45 x 2, Gigabit
<b>Video-out</b>	DVI-I x 1
<b>Audio</b>	Line-out, Microphone-in (3.5 mm phone-jack)
<b>Power input</b>	DC-in x 1, 6V~32V
<b>Control keys</b>	h Front side, projected capacitive type h Power on/off, Brightness, Audio volume, Backlight on/off, Touch on/off

### Power

<b>Power adaptor</b>	External, 100 watts, 90~264V AC in, 12V DC out, medical grade, 1.2m DC cable
<b>Power consumption</b>	65.66W (Full loading) / 5.7W (S3 standby)
<b>Internal battery (optional)</b>	h Li-Ion, 28Wh, for 25 minutes operating (approx.), 2S2P h Charge time: 2 hours (system off), 3.5 hours (system on)
<b>System power input</b>	h DC12V, others by optional DC-DC adapter

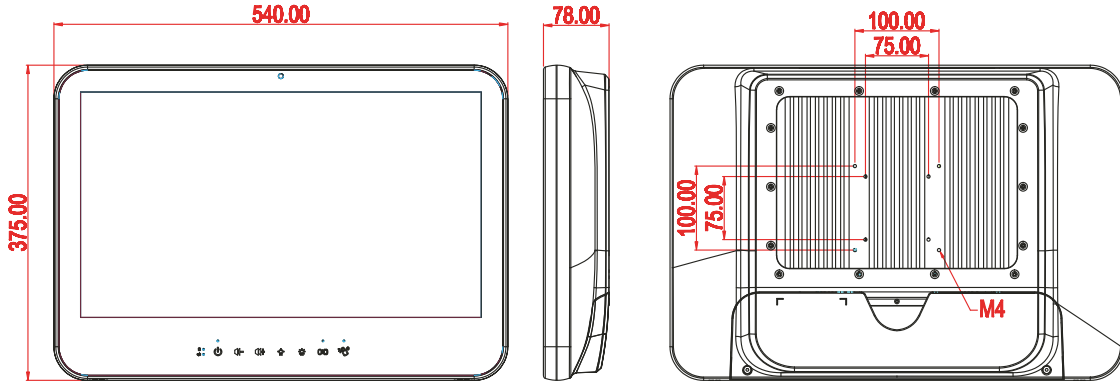
### Mechanical & Environmental

<b>Housing</b>	·Front: Full flat design / Touch (standard), Glass (optional) ·Rear: Plastic + I/O cover w/ antibacterial treatment
<b>Color</b>	·Housing: White . Control key icons: Grey
<b>IP rating</b>	IP65 – front side
<b>Cooling</b>	Fanless w/ back cover aluminum thermal plate
<b>Mounting</b>	VESA 75 x 75 / 100 x 100 mm
<b>Kensington lock</b>	Yes, x 1 at bottom
<b>Dimension</b>	540 x 375 x 78 mm (W x H x D, w/o stand)
<b>Weight (net)</b>	7.0 Kg (approximate, w/o power adaptor)
<b>Temperature</b>	·Operating – 0°C~40°C . Storage – -20°C~60°C
<b>Humidity</b>	Operating & storage – 10%~90%, non-condensing
<b>Regulatory</b>	·FCC-B, cUL, CE, VCCI ·Medical 60601-1 3 <sup>rd</sup> edition (EN 60601-1:2006, ANSI/AAMI ES60601-1:2005, CAN/CSA C22.2 No. 60601-1:08)

# WMP-227

21.5" Wide Core i Fanless Medical Panel PC

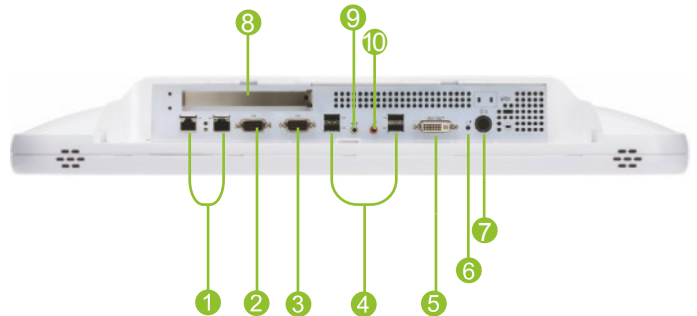
## Outline Dimension



## Packaging / Options / Customization

- Packaging Options**
- h System, power adaptor, AC power cord, CD (drivers & manual)
  - h WLAN 802.11 a/b/g/n mini PCIe module w/ internal antenna x 2
  - h Bluetooth 2.1 (USB)
  - h Webcam (2M pixel, USB)
  - h Battery pack
  - h RFID reader (13.56Hz, USB)
  - h Power adaptor w/ 2.4m or 3.6m DC cable
  - h Anti-bacteria desktop stand (metal, white)
- Customization**
- h Add extra two COM ports
  - h LAN isolation x 1
  - h Add COM isolation x 2 module (use expansion slot area)
  - h Add USB isolation x 1
  - h Change touch to glass

## I/O Connectors



- |                 |                       |
|-----------------|-----------------------|
| ① LAN x 2       | ⑥ Reset               |
| ② RS232/422/485 | ⑦ DC-in               |
| ③ RS232         | ⑧ PCI-E/PCI expansion |
| ④ USB x 4       | ⑨ Line-out            |
| ⑤ DVI-I         | ⑩ Micropone-in        |



## Ordering Information

- |  |                             |                         |                            |
|--|-----------------------------|-------------------------|----------------------------|
| • CPU: Core i5 1.6G / Celeron 1.1G           | • Memory: 2G / 4G / 8G      | • HDD: 160G / 500G      | • Webcam: None / x 1       |
| • Power adaptor: 1.2m / 2.4m / 3.6m DC cable | • Wifi: None / x 1          | • Bluetooth: None / x 1 | • Battery pack: None / x 1 |
| • RFID reader: None / x 1                    | • Desktop stand: None / x 1 |                         |                            |

All Information is subject to change without prior notice

November 2012